



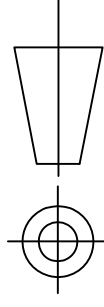
Optical Lens Specification:
 Focusing Range 30cm to Infinity
 Focal Length 2.53mm
 F Number 2.8
 Fov(D) 60°
 TV Distortion <1%

PIN NO	NAME	PIN NO	NAME
1	NC	13	MCLK
2	AGND	14	D8
3	SDA	15	DGND
4	AVDD	16	D7
5	SCL	17	PCLK
6	RESET	18	D6
7	VSYNC	19	D2
8	PWDN	20	D5
9	HSYNC	21	D3
10	DVDD	22	D4
11	DOVDD	23	NC
12	D9	24	NC

NO	ITEM	Q'TY	DESCRIPTION
1	PCB	1	
2	TAKING LENS	1	
3	Sensor	1	GC0309
4	Connector	1	AXK824145

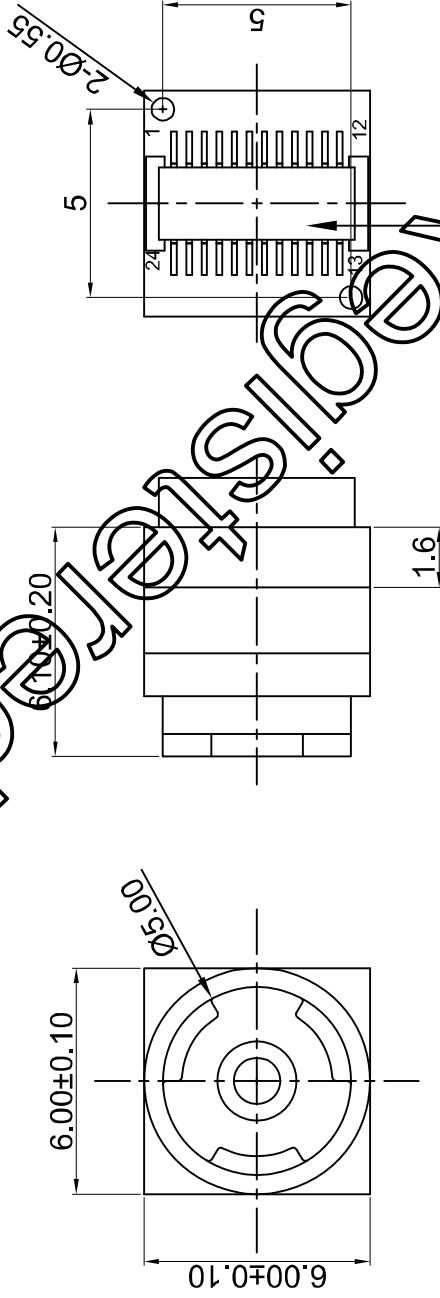
DWG NO:

SHEET	1OF1	REV	1.0
SCALE	3:1	UNIT	MM



advert:

basic tolerance: ±0.15mm
 label have "*"is emphasis dimension



TOP VIEW

SIDE VIEW

BOTTOM VIEW

Note:# Image direction register use default settings.
 Output format: YUV output

Customer Approval	
Check	Approval

NO	Description of revision	Revised	Date	SANM TECHNOLOGY CO., LTD		
1						
2				DRAWER	DATE	PRODUCT NAME:
3				CHECK	DATE	Customer
4				APPR	DATE	