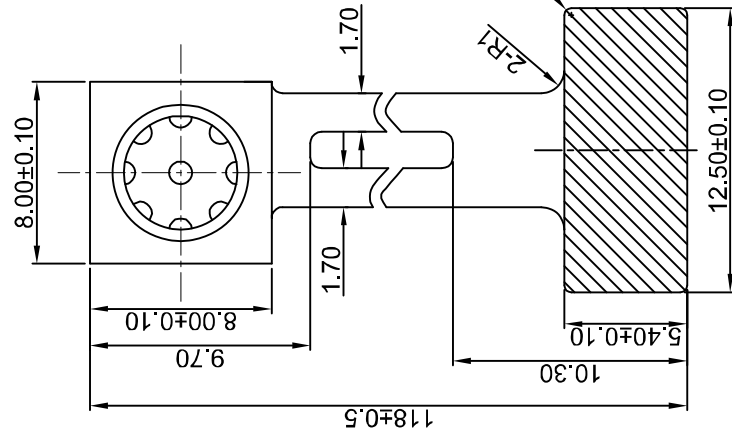
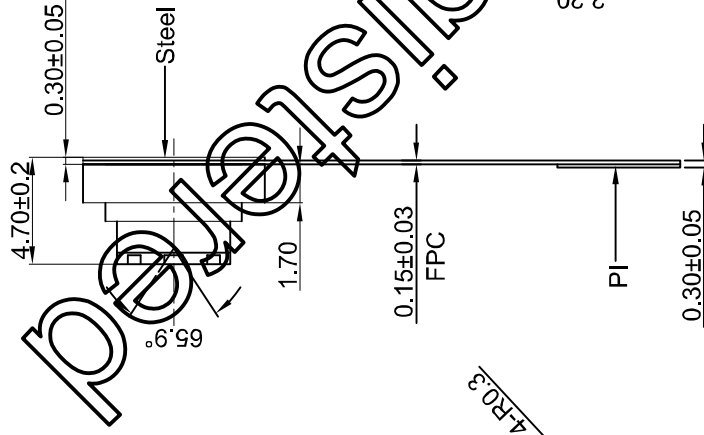




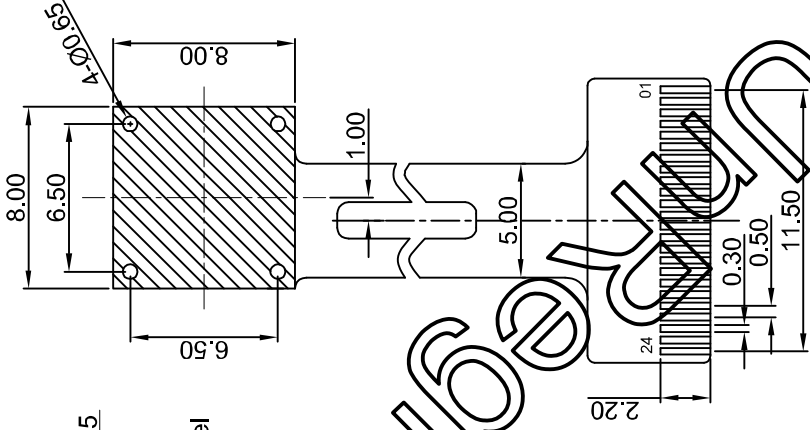
Optical Lens Specification:  
 Focusing Range 60cm to Infinity  
 Focal Length 3.0mm  
 F Number 2.8  
 Fov(D) 62°  
 TV Distortion <1%



TOP VIEW



SIDE VIEW



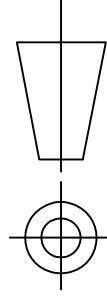
BOTTOM VIEW

| PIN NO | NAME        | PIN NO | NAME |
|--------|-------------|--------|------|
| 1      | NC          | 13     | MCLK |
| 2      | AGND        | 14     | D8   |
| 3      | SDA         | 15     | DGND |
| 4      | A/VDI(2.8V) | 16     | D7   |
| 5      | SCL         | 17     | PCLK |
| 6      | RESET       | 18     | D6   |
| 7      | VSYNC       | 19     | D2   |
| 8      | PWDN        | 20     | D5   |
| 9      | HSYNC       | 21     | D3   |
| 10     | D/VDI(1.8V) | 22     | D4   |
| 11     | D/VDI(2.8V) | 23     | NC   |
| 12     | D9          | 24     | NC   |

| NO | ITEM        | Q'TY | DESCRIPTION |
|----|-------------|------|-------------|
| 1  | PI          | 1    |             |
| 2  | Steel       | 1    |             |
| 3  | FPC         | 1    |             |
| 4  | TAKING LENS | 1    |             |
| 5  | Sensor      | 1    | OV7725      |

DWG NO:

| SHEET | 1OF1 | REV  | 1.0 |
|-------|------|------|-----|
| SCALE | 3:1  | UNIT | MM  |



advert:  
 basic tolerance: ±0.15mm  
 label have "H\*" is emphasis dimension

Note:# Image direction register use default settings.  
 Output format: YUV output

|                          |          |
|--------------------------|----------|
| <b>Customer Approval</b> |          |
| Check                    | Approval |

| NO | Description of revision | Revised | Date |
|----|-------------------------|---------|------|
| 1  |                         |         |      |
| 2  |                         |         |      |
| 3  |                         |         |      |
| 4  |                         |         |      |

|        |      |               |
|--------|------|---------------|
| DRAWER | DATE | PRODUCT NAME: |
| CHECK  | DATE | Customer      |
| APPR   | DATE |               |

SANM TECHNOLOGY CO.,LTD